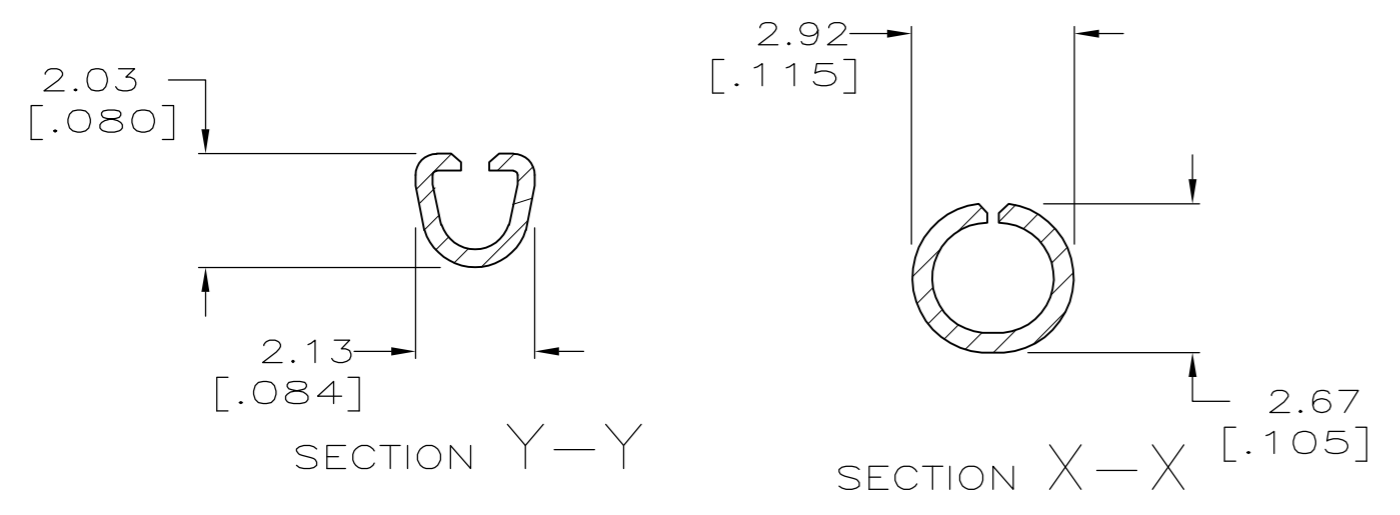
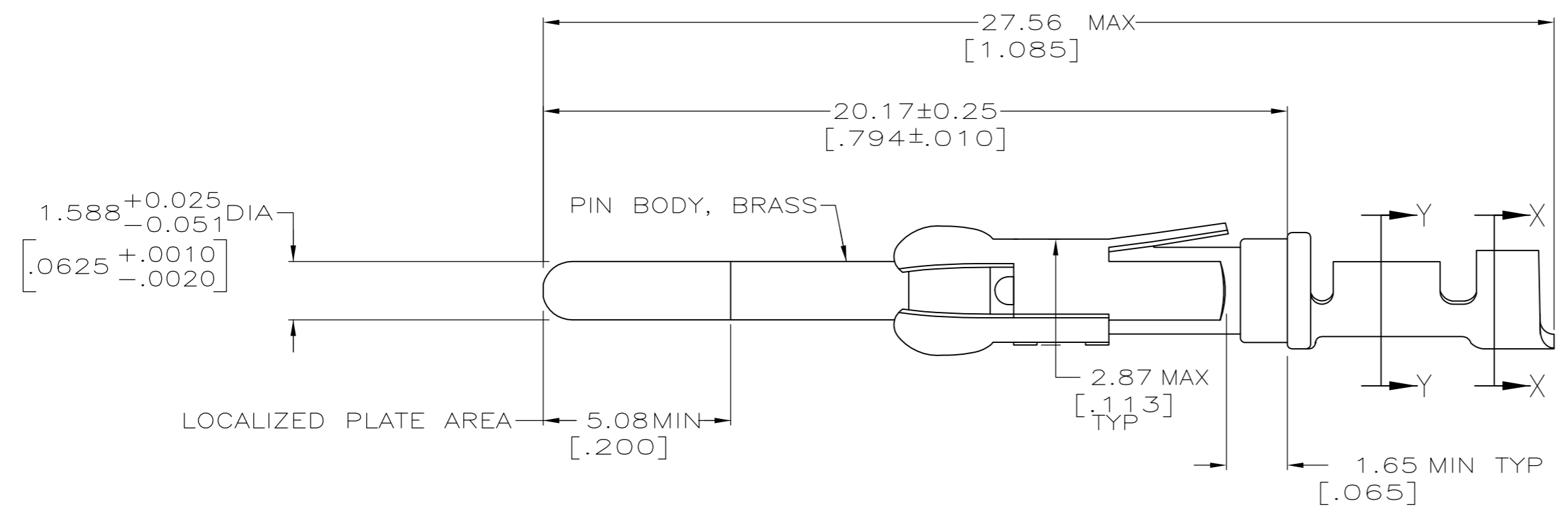
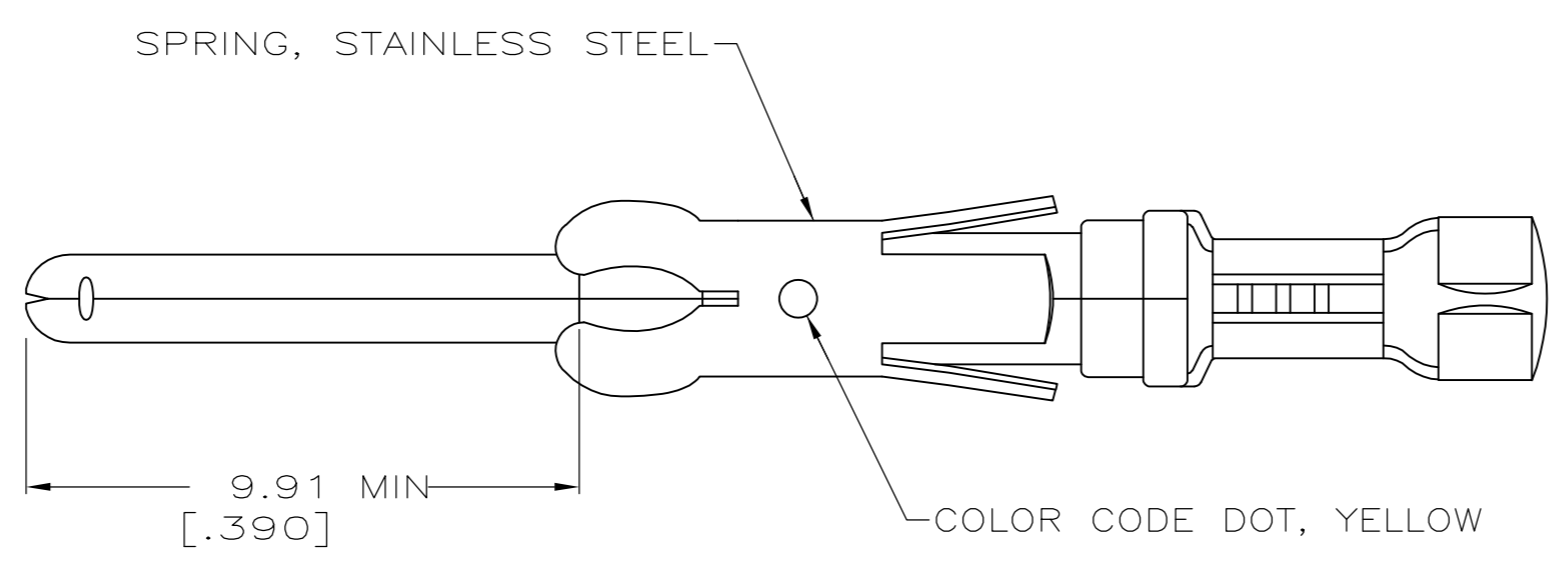


THIS DRAWING IS UNPUBLISHED. RELEASED FOR PUBLICATION  
 © COPYRIGHT - By - ALL RIGHTS RESERVED.

| LOC | DIST | REVISIONS   |                           |         |        |
|-----|------|-------------|---------------------------|---------|--------|
| P   | LTR  | DESCRIPTION | DATE                      | OWN     | APVD   |
| FT  | 47   | L2          | REVISED PER ECO-11-005027 | 11MAR11 | RK HMR |



- 1. WIRE RANGE 26-20 AWG.
- 2. OBSOLETE PARTS: OBSOLETE CIS STREAMLINING PER D.RENAUD/D.SINISI

|   |          |                |         |
|---|----------|----------------|---------|
| 2 | OBsolete | SMALL PACK     | 66182-2 |
|   |          | STANDARD       | 66182-1 |
|   |          | PACKAGING TYPE | PART NO |

|  |   |                  |                                      |           |                            |
|--|---|------------------|--------------------------------------|-----------|----------------------------|
| THIS DRAWING IS A CONTROLLED DOCUMENT. |   | DWN              | H MOLL                               | 9-27-90   | <b>STE</b> TE Connectivity |
| DIMENSIONS: MM[INCHES]                 |   | CHK              | J.McCLINTON                          | 12-15-90  |                            |
| TOLERANCES UNLESS OTHERWISE SPECIFIED: |   | APVD             | A.ROULLIANNE                         | 12-10-90  | NAME                       |
| 0 PLC ± -                              | 1 PLC ± -   | PRODUCT SPEC     | PIN ASSEMBLY, LOOSE PIECE, TYPE III+ |           |                            |
| 2 PLC ± 0.13[.005]                     | 3 PLC ± -   | APPLICATION SPEC | SIZE                                 | CAGE CODE | DRAWING NO                 |
| 4 PLC ± -                              | ANGLES ± -  | WEIGHT           | A2                                   | 00779     | G-66182                    |
| MATERIAL SEE CALL OUT                  | FINISH PIN BODY: 0.76µm [.00003] MIN GOLD IN LOCALIZE PLATE AREA, 0.25µm [.00001] MIN GOLD ON THE REMAINDER OVER 1.27µm [.00005] MIN NICKEL | CUSTOMER DRAWING | SCALE                                | 8:1       | SHEET 1 OF 1               |
|  |   |                  |                                      |           | REV L2                     |